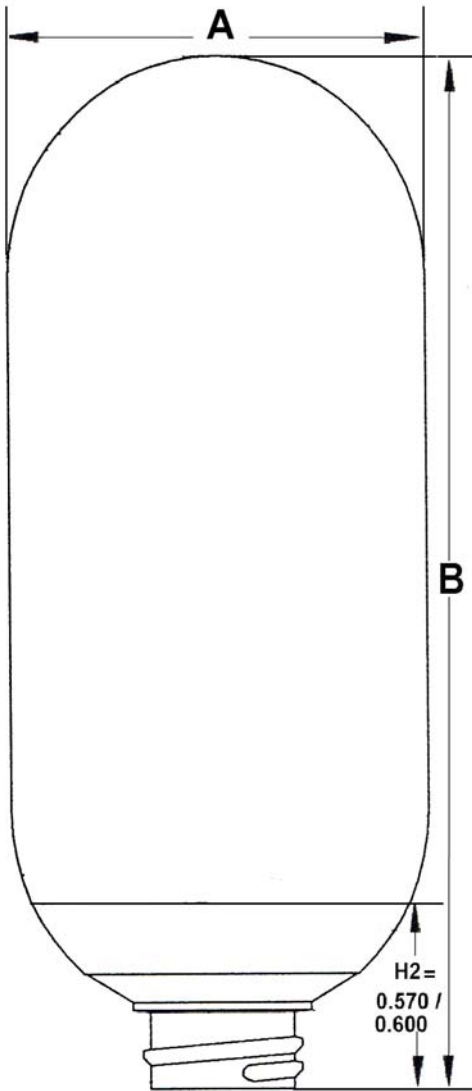




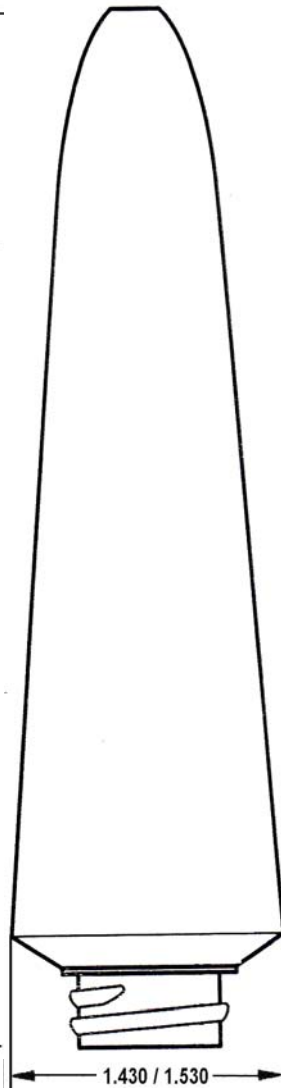
**CLASSIC
CONTAINERS
Inc.**

1700 S. Hellman Ave. Ontario, CA 91761
Ph. 909-930-3610 Fax 909-930-3640
www.classiccontainers.com

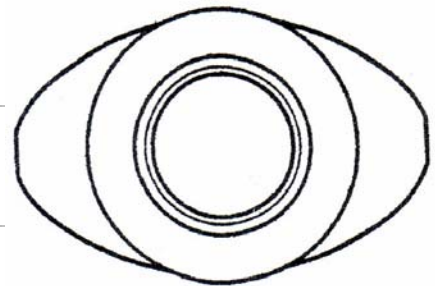
****Manufacturing Process: Extrusion Blow Molding****
****Drawing not exactly to size****



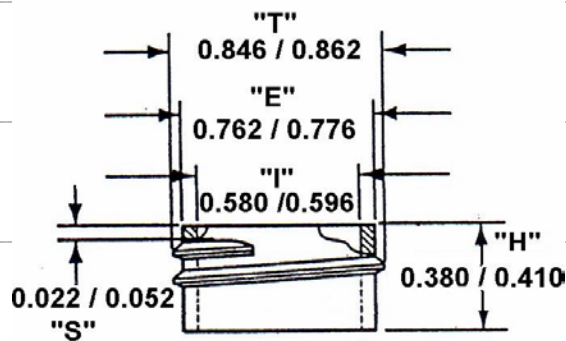
Side View



Top View



Neck & Thread Detail



HDPE



LDPE



PP



OTHER

Drawing Approved by: _____

Date: _____

Revised 01/05

**4 oz Princess Oval
22/400 (120ml)
Drawing # 0427220**

Overflow Capacity	4.3 - 4.7 oz. (129 - 139 ml)
Gram Weight	15.0 ± 1.0 g
Neck Finish	22/400
Diameter (A)	2.250 ± 0.050
Overall Height (B)	5.310 ± 0.050
Max Print Area (Height)	3 1/4"
Max Print Area (Width)	1 1/4"
Case Pack	498
Case Weight	20 #
Cases Per Pallet	25
Stock Material	HD/PE
Box Dimensions	24 x 17 x 16