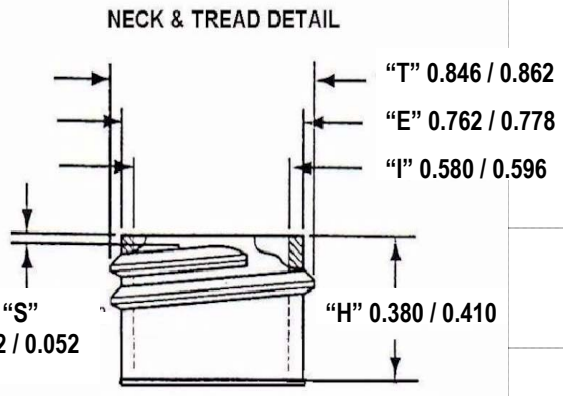
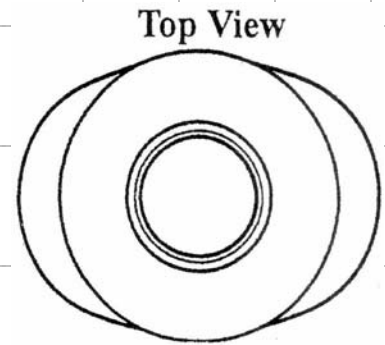
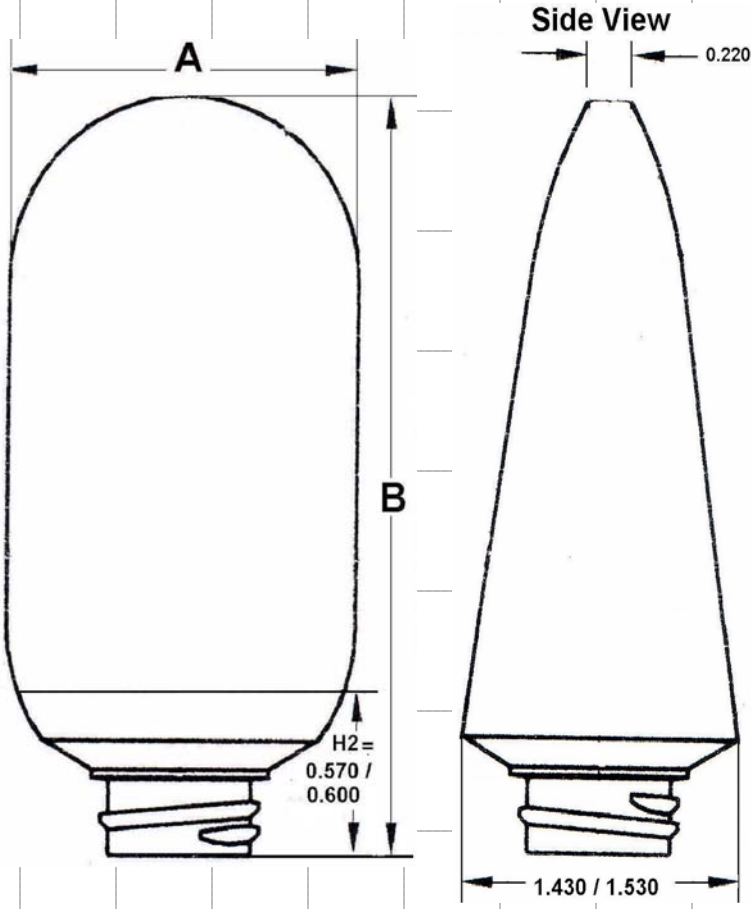


\*\*\*\*Manufacturing Process: Extrusion Blow Molding\*\*\*\*  
 \*\*\*\*Drawing not exactly to size\*\*\*\*



1700 S. Hellman Ave. Ontario, CA 91761  
 Ph. 909-930-3610 Fax 909-930-3640  
 www.classiccontainers.com



- HDPE
- LDPE
- PP
- OTHER

**2 oz Princess Oval  
 22/400 ( 60ml )  
 Drawing # 0227220**

Overflow Capacity	2.3 - 2.5 oz. (68 - 74. ml)
Gram Weight	9 ± 0.5 g
Neck Finish	22/ 400
Diameter (A)	1.875 ± 0.060
Overall Height (B)	3.875 ± .050
Max Print Area (Height)	2 1/4"
Max Print Area (Width)	1 "
Case Pack	848
Case Weight	20 #
Cases Per Pallet	25
Stock Material	HD/PE
Box Dimensions	24 x 17 x 16

Drawing Approved by: \_\_\_\_\_  
 Date: \_\_\_\_\_

Revised 01/05