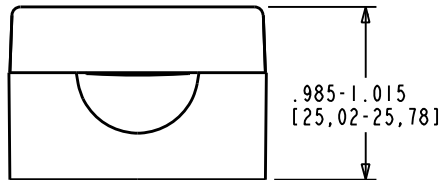
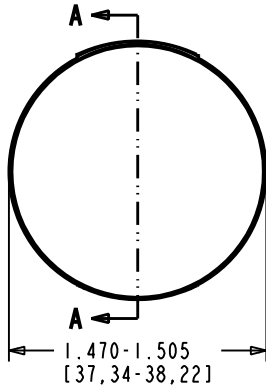
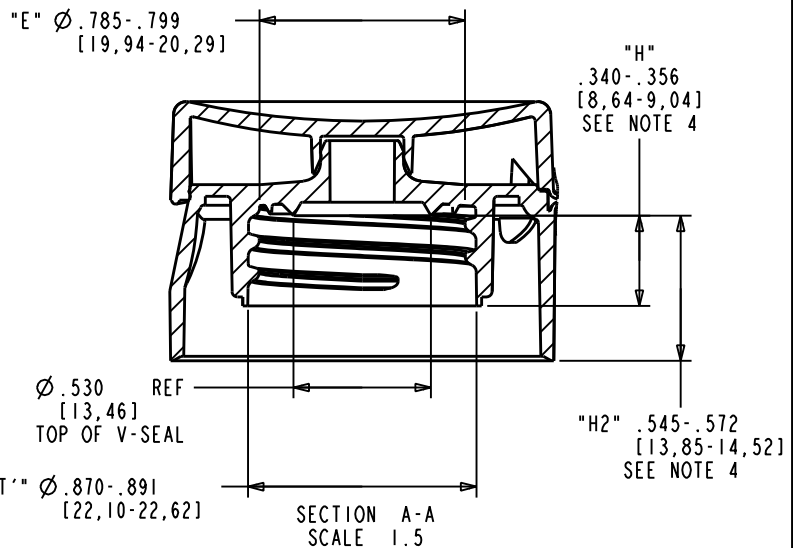


THE BOTTLE NECK DIMENSIONS SHOWN ARE BASED UPON CURRENT KNOWLEDGE. IT IS THE RESPONSIBILITY OF THE RECEIVER OF THE INFORMATION CONTAINED IN THIS DRAWING TO TEST FOR FIT AND FUNCTION OF THE TOTAL PACKAGE. DIMENSIONS SHOWN ARE INTENDED FOR POLYETHYLENE BOTTLES ONLY. IF ANOTHER BOTTLE MATERIAL IS USED, SOME DIMENSIONS AND TOLERANCES MAY REQUIRE ADJUSTMENT.



NOTES:

1. THE "T" AND "E" DIAMETERS ARE THE AVERAGE OF 2 MEASUREMENTS TAKEN APPROXIMATELY 90° APART.
2. THE "T" DIAMETER IS TAKEN TOWARD THE BOTTOM OF THE CLOSURE JUST BELOW THE START OF FULL THREAD.
3. THE "E" DIAMETER IS TAKEN AS CLOSE TO THE INSIDE DECK AS POSSIBLE.
4. THE EFFECTIVE CLOSURE H AND H2 DIMENSIONS ARE MEASURED FROM THE CLOSURE/TUBE SEAL SURFACE (TIP OF V RING SEAL).



NOMINAL ORIFICE SIZES AVAILABLE

- .125" DIAMETER [3,18]
- .187" DIAMETER [4,76]
- .250" DIAMETER [6,35]

REV.	REVISION DESCRIPTION	PROD. ENG.	REV. DATE
J	REMOVED NOTE #1 / Ø 1.470-1.505 WAS Ø 1.475-1.505 Ø .530 REF TIP OF V-SEAL WAS Ø .525-.535 / UPDATED TITLE & TITLEBLOCK BOTTLE: Ø .430 MAX WAS .397-.427 \ ADDED Ø 1.479 NOM \ REMOVED Ø .679-.709 STEP	S. BEILKE	03-MAR-10



Possession of this drawing is an acknowledgement that it and its contents are the exclusive property of Seaquist Closures. This drawing may not be reproduced in any form whatsoever nor given to any third party without written permission from Seaquist Closures.

TITLE:
1-1/2in CLASSIC TUBE TOP, 22-400 THREAD,
V-SEAL AND GLOSS FINISH

DWG. BY: T. KASTING

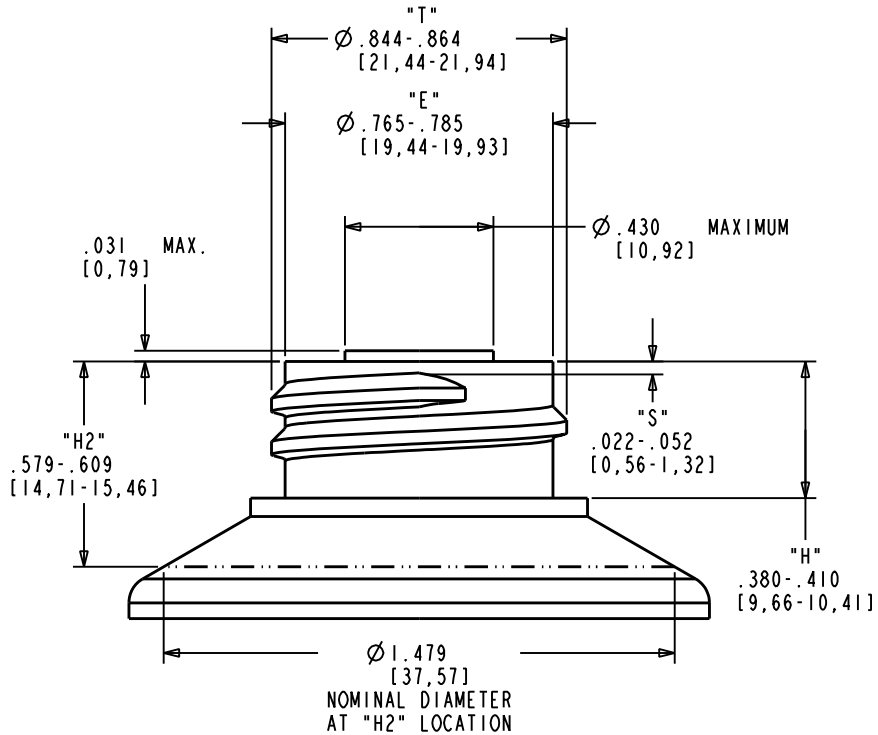
DATE: 18-MAR-99

CONFIRM CURRENT REVISION PRIOR TO USE

SHEET 1 OF 2

CUSTOMER SPECIFICATION DRAWING DWG. NO: CS-2218-0645-J

THE BOTTLE NECK DIMENSIONS SHOWN ARE BASED UPON CURRENT KNOWLEDGE. IT IS THE RESPONSIBILITY OF THE RECEIVER OF THE INFORMATION CONTAINED IN THIS DRAWING TO TEST FOR FIT AND FUNCTION OF THE TOTAL PACKAGE. DIMENSIONS SHOWN ARE INTENDED FOR POLYETHYLENE BOTTLES ONLY. IF ANOTHER BOTTLE MATERIAL IS USED, SOME DIMENSIONS AND TOLERANCES MAY REQUIRE ADJUSTMENT.



RECOMMENDED NECK FINISH

LAND MUST BE SMOOTH AND FREE
OF NICKS OR RAGGED EDGES
MINIMUM OF 1-1/2 TURNS OF 8 T.P.I.
"M" STYLE THREAD

REV.	REVISION DESCRIPTION	PROD. ENG.	REV. DATE
J	SEE SHEET I FOR REVISION DESCRIPTION	S. BEILKE	03-MAR-10



Possession of this drawing is an acknowledgement that it and its contents are the exclusive property of Sequist Closures. This drawing may not be reproduced in any form whatsoever nor given to any third party without written permission from Sequist Closures.

TITLE: 1-1/2in CLASSIC TUBE TOP, 22-400 THREAD, V-SEAL AND GLOSS FINISH

DWG. BY: T. KASTING

DATE: 18-MAR-99

CONFIRM CURRENT REVISION PRIOR TO USE

SHEET 2 OF 2

CUSTOMER SPECIFICATION DRAWING

DWG. NO: CS-2218-0645-J