

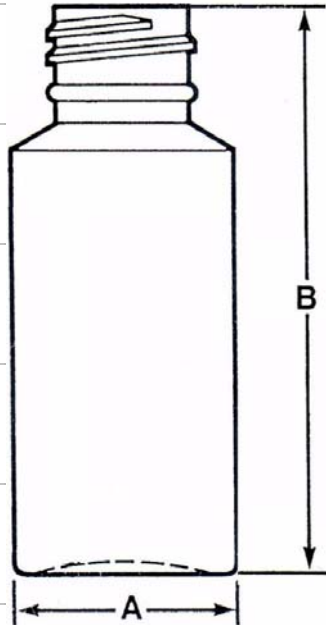
\*\*\*\*Manufacturing Process: Injection Blow Molding\*\*\*\*

\*\*\*\*Drawing not exactly to size\*\*\*\*

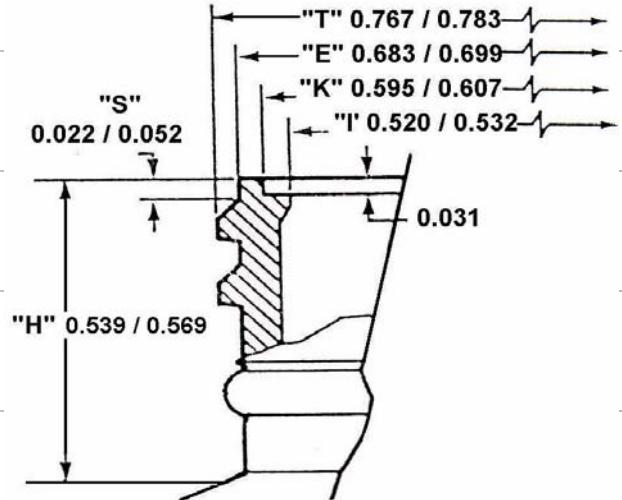


**CLASSIC  
CONTAINERS  
Inc.**

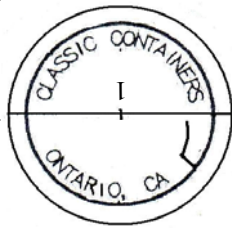
1700 S. Hellman Ave. Ontario, CA 91761  
Ph. 909-930-3610 Fax 909-930-3640  
www.classiccontainers.com



**NECK & THREAD DETAIL**



**BOTTOM VIEW**



HDPE



LDPE

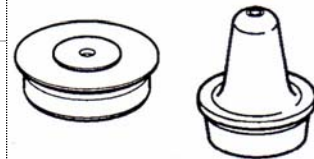


PP



OTHER

Recommended Plugs  
For This Bottle  
"Snap Fit"



**1 oz (30 ml) Cylinder Round Tall 20/410  
Drawing # 0103200**

Overflow Capacity	35.4 - 41.3 ml (1.2 - 1.4 oz)	Base Width (A)	1.170 ± 0.050	Max Print Area (Width)	3.437"	Cases Per Pallet	25
Gram Weight	6.0 ± 1	Overall Height (B)	2.900 ± 0.050	Case Pack	1660	Stock Material	HD/PE
Neck Finish	20/410	Max Print Area (Height)	2.000"	Case Weight	25 #	Box Dimensions	24 x 16 x 17